
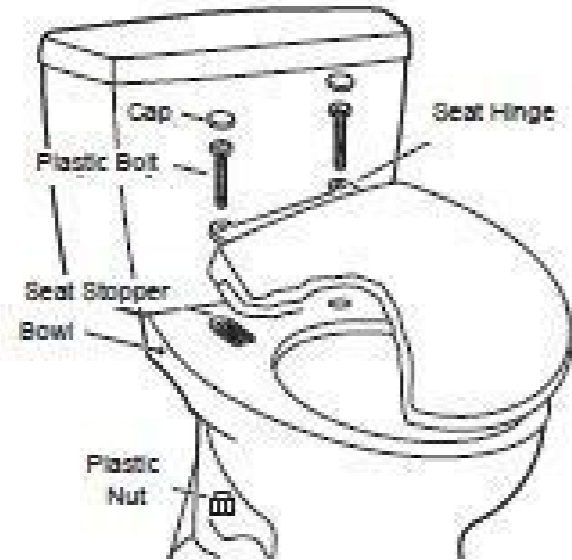


I'm not robot  reCAPTCHA

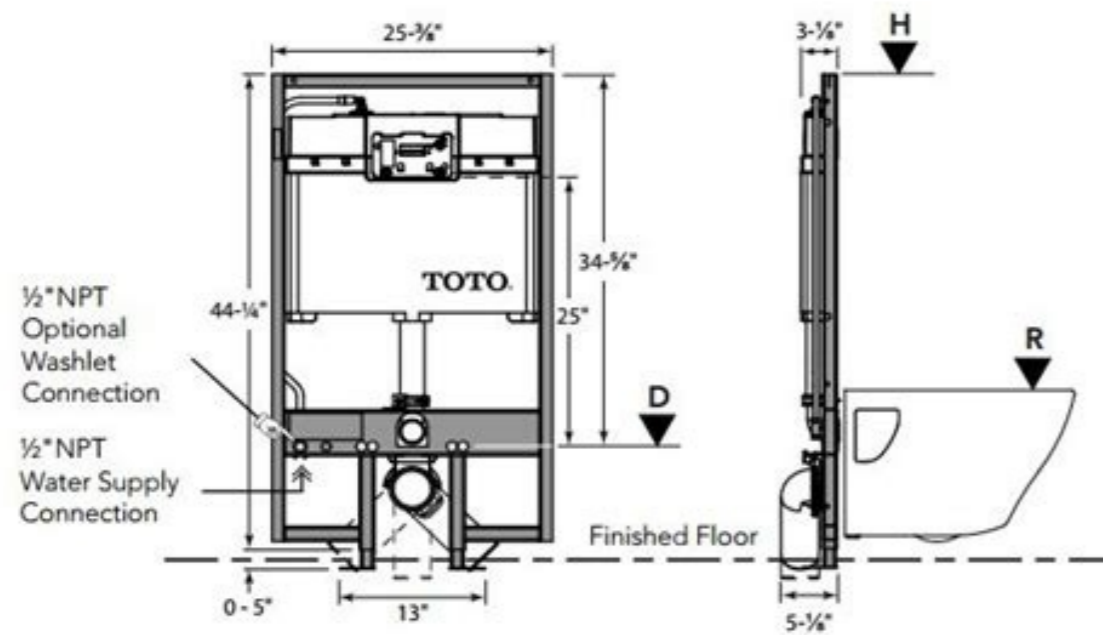
I am not robot!

Toto toilet installation guide

1 Make sure that any and all debris is cleared away from the closet flange (the plastic or metal ring that surrounds the drain in the ground). Once clear, put in the mounting bolts, these will hold the toilet in place. Put the head of the bolt into the flange so that the threads face upward. 2 Get the toilet bowl and turn it upside down. It may be good to place the toilet on some sort of fabric or even on your carpet to avoid damage to it. Install the wax ring on the bottom of the bowl and then turn the bowl right side up. Line up the holes on the bottom of the bowl with the mounting bolts on the ground. Once your toilet is in the position that you want it to be and lined up, press it down to create a seal between the flange and the wax ring. Install the nuts on the threads of the mounting bolts. Make sure you tighten the nuts evenly (like you would when putting the wheels on a car). Also be careful not to tighten the bolts too much as they can crack the toilet bowl.



Make sure you tighten the nuts evenly (like you would when putting the wheels on a car).



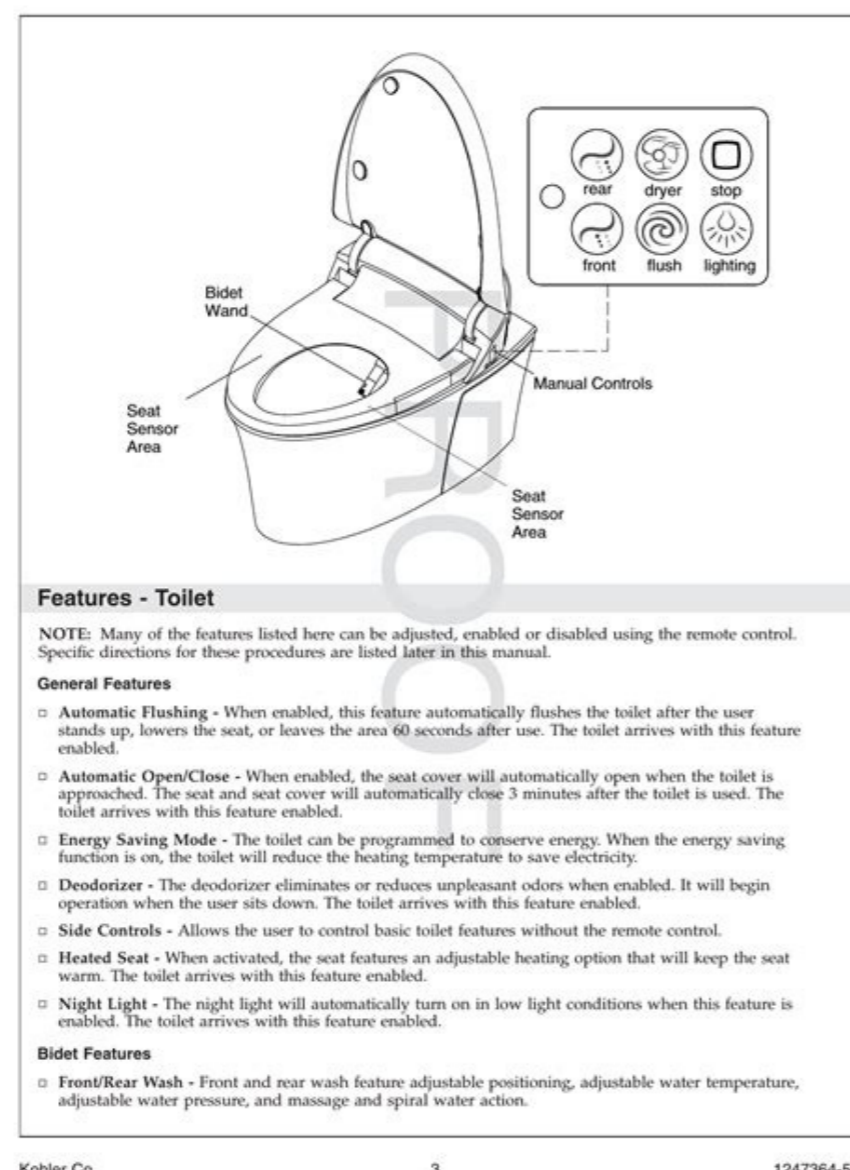
Line up the holes on the bottom of the bowl with the mounting bolts on the ground. Once your toilet is in the position that you want it to be and lined up, press it down to create a seal between the flange and the wax ring. Install the nuts on the threads of the mounting bolts. Make sure you tighten the nuts evenly (like you would when putting the wheels on a car). Also be careful not to tighten the bolts too much as they can crack the toilet bowl. Advertisement 3 Turn the tank around and make sure that all the nuts and gaskets are in their proper place, especially check the tank to bowl gasket. Install the tank to bowl nuts and bolts. Make sure that the rubber washer is between the head of the bolt and the bottom of the inside of the tank.

TOTO®

Perfection by Design

2 Get the toilet bowl and turn it upside down. It may be good to place the toilet on some sort of fabric or even on your carpet to avoid damage to it. Install the wax ring on the bottom of the bowl and then turn the bowl right side up. Line up the holes on the bottom of the bowl with the mounting bolts on the ground. Once your toilet is in the position that you want it to be and lined up, press it down to create a seal between the flange and the wax ring. Install the nuts on the threads of the mounting bolts. Make sure you tighten the nuts evenly (like you would when putting the wheels on a car). Also be careful not to tighten the bolts too much as they can crack the toilet bowl. Advertisement 3 Turn the tank around and make sure that all the nuts and gaskets are in their proper place, especially check the tank to bowl gasket. Install the tank to bowl nuts and bolts. Make sure that the rubber washer is between the head of the bolt and the bottom of the inside of the tank. Once you have both bolts in the tank, pick it up and attach it to the bowl. Line up the bolts in the holes of the toilet bowl. Hand tighten the bolts on the bottom of the bowl as far as you can, and then tighten them a little more with a wrench. 4 Hook up the water supply (this can be a braided hose, plastic closet supply, or a chrome closet supply). The nut should thread onto the bottom of the tank where the ballcock is found.

RUBNAME: No Job Name PAGE: 3 SESS: 1 / UC/PU1: Wed Apr 6 16:10:51 2010



Once your toilet is in the position that you want it to be and lined up, press it down to create a seal between the flange and the wax ring. Install the nuts on the threads of the mounting bolts. Make sure you tighten the nuts evenly (like you would when putting the wheels on a car). Also be careful not to tighten the bolts too much as they can crack the toilet bowl. Advertisement 3 Turn the tank around and make sure that all the nuts and gaskets are in their proper place, especially check the tank to bowl gasket. Install the tank to bowl nuts and bolts. Make sure that the rubber washer is between the head of the bolt and the bottom of the inside of the tank. Once you have both bolts in the tank, pick it up and attach it to the bowl. Line up the bolts in the holes of the toilet bowl. Hand tighten the bolts on the bottom of the bowl as far as you can, and then tighten them a little more with a wrench. 4 Hook up the water supply (this can be a braided hose, plastic closet supply, or a chrome closet supply). The nut should thread onto the bottom of the tank where the ballcock is found. It is important to only hand tighten this connection since using a wrench can easily break the plastic threads of the ballcock. Open up the supply valve found on the wall or the floor so water can fill up the tank. 5 Replace the tank lid. Once these steps have been accomplished and there aren't any leaks detected, put the tank lid on top of the tank to protect the parts within it. Install your toilet seat. Make sure that it matches up with the kind of toilet you have (i.e. a round seat for a round bowl toilet). Place the bolts through the holes provided on the toilet bowl. Hand tighten the nuts that go on the bottom of the seat and then use a screwdriver and wrench if needed to fully secure the seat. Advertisement Ask a Question Advertisement wikiHow is a "wiki," similar to Wikipedia, which means that many of our articles are co-written by multiple authors. To create this article, volunteer authors worked to edit and improve it over time. This article has been viewed 43,521 times. Co-authors: 7 Updated: January 31, 2019 Views: 43,521 Categories: Toilets Print Send fan mail to authors Thanks to all authors for creating a page that has been read 43,521 times. Are you thinking of upgrading your bathroom but have no idea how to install a TOTO toilet? If so, follow our step-by-step installation guide below.



Line up the holes on the bottom of the bowl with the mounting bolts on the ground. Once your toilet is in the position that you want it to be and lined up, press it down to create a seal between the flange and the wax ring. Install the nuts on the threads of the mounting bolts. Make sure you tighten the nuts evenly (like you would when putting the wheels on a car). Also be careful not to tighten the bolts too much as they can crack the toilet bowl. Advertisement 3 Turn the tank around and make sure that all the nuts and gaskets are in their proper place, especially check the tank to bowl gasket. Install the tank to bowl nuts and bolts. Make sure that the rubber washer is between the head of the bolt and the bottom of the inside of the tank. Once you have both bolts in the tank, pick it up and attach it to the bowl. Line up the bolts in the holes of the toilet bowl. Hand tighten the bolts on the bottom of the bowl as far as you can, and then tighten them a little more with a wrench. 4 Hook up the water supply (this can be a braided hose, plastic closet supply, or a chrome closet supply). The nut should thread onto the bottom of the tank where the ballcock is found. It is important to only hand tighten this connection since using a wrench can easily break the plastic threads of the ballcock. Open up the supply valve found on the wall or the floor so water can fill up the tank. 5 Replace the tank lid. Once these steps have been accomplished and there aren't any leaks detected, put the tank lid on top of the tank to protect the parts within it.

Install your toilet seat. Make sure that it matches up with the kind of toilet you have (i.e. a round seat for a round bowl toilet). Place the bolts through the holes provided on the toilet bowl. Hand tighten the nuts that go on the bottom of the seat and then use a screwdriver and wrench if needed to fully secure the seat. Advertisement Ask a Question Advertisement wikiHow is a "wiki," similar to Wikipedia, which means that many of our articles are co-written by multiple authors. To create this article, volunteer authors worked to edit and improve it over time. This article has been viewed 43,521 times. Co-authors: 7 Updated: January 31, 2019 Views: 43,521 Categories: Toilets Print Send fan mail to authors Thanks to all authors for creating a page that has been read 43,521 times.

Are you thinking of upgrading your bathroom but have no idea how to install a TOTO toilet? If so, follow our step-by-step installation guide below. TOTO toilets are equipped with modern features you're sure to love. For instance, it offers heated seats, an air-purifier system, a bidet cleansing feature, and a dryer eliminating the need for toilet paper. Additionally, with TOTO toilets, you don't have to worry about forgetting to close the lid, since the majority of TOTO models come with a self-closing seat system. Before you decide which model of TOTO toilet to install in your bathroom, you may want to consider features like the flushing system, water consumption, and configuration alternatives.

TOTO toilet brand manufactures several models of toilets that fit almost any bathroom design. They produce both one and two-piece models and several environmentally-friendly low-flush models. NOTE: Some TOTO toilet models have a special PVC outlet pipe that must be fitted before installing the toilet. TOTO toilets are typically installed in traditional homes, high-end hotels, restaurants, airports, stadiums, and many other buildings. What's Required to Install a TOTO Toilet? TOTO toilet Wrench Plumbing tape Power drill and bit Measuring tape Plumber's putty Caulk Wax ring Screwdriver Plumber's level Steps for installing a TOTO Toilet TIP: The installer should read the owner's manual to prevent possible damage to the toilet. Ensure no debris remains on the closet-flange (a round, ring-like material made from either plastic or metal surrounding the drain surface). After clearing the debris, insert the mounting bolts to immediately and correctly secure the toilet. Position the front side of each bolt inside the flange and ensure each bolt's thread faces upward. Second Step Flip the TOTO toilet bowl upside down.

Set the toilet on a soft surface to prevent damage. Place the wax-ring onto the lowest part of the toilet bowl and turn the bowl upright. Align the mounting bolts with the existing holes on the lowest part of the toilet bowl. After correctly positioning the toilet, push it down to properly seal the space between the flange and wax-ring. Place each nut onto each bolt thread and prepare to mount them on the bolts. Ensure all nuts are uniformly tightened (as you would when changing a car tire).

CAUTION! Avoid excessively tightening the bolts to prevent damage to the toilet bowl.

Third Step Rotate the toilet tank side to side to ensure all nuts and gaskets have been securely and correctly fitted, particularly the tank onto the dish gasket. Next, install the toilet tank onto the dish gasket, then insert your bolts. Position a rubber washer between the lowest part of your tank and the front side of the bolt. After securing both bolts into the tank, install the tank onto the toilet bowl. Ensure all bolts are correctly aligned with the holes on the toilet bowl. Begin by hand-tightening each bolt onto the lowest part of the toilet bowl and use a wrench to securely tighten. Fourth Step Attach the water intake and outlet for your TOTO toilet (you may use any available system but ensure it fits your toilet model). While connecting the water supply, ensure you position the nut threads at the bottom-most part of your tank where the ballcock is located. Carefully hand-tighten as using a wrench may damage or break the plastic ballcock. Open your toilet's water supply tap and fill the tank. CAUTION! To avoid water or odor leakage, ensure the wax seal is securely fitted. Fifth Step Install your TOTO toilet tank lid. After following each, if you don't detect any leakage, set the tank cover on top of the tank.

Now you're ready to install the toilet seat. Ensure the toilet seat securely fits your toilet bowl. Fix the bolts onto the holes in the toilet bowl. Hand-tighten each nut placed onto the lowest part of the seat and use a wrench or screwdriver if necessary to securely fasten.

NOTE: Tighten the seat-bolts until the hinge is secured. Your TOTO toilet seat and lid may have a slight side-side motion. This is normal. Avoid pushing or kicking the toilet to prevent damage. Avoid dropping any hard objects into the toilet as this may cause leakage. Avoid cleaning the toilet with strong detergents that may cause damage. Avoid using hot water on a cold toilet to prevent damage. Also, avoid adding cold water to the toilet tank. This may cause condensation, especially in cold weather.

If cracking occurs, avoid using the toilet as this may result in serious injury. Instead, repair it or install a new one.

HOW TO INSTALL A TOTO TOILET